

VLS 5450

SCISSOR LIFTS

19.05.2019



VLS 5450LA: Large 5 t scissor lift – Tough enough for wheel alignment

- Precision standard for wheel alignment
- Automatic level control
- High grade hydraulic components

VLS 5450LP: Large 5 t scissor lift – With play detector

For vehicle inspection and reception reception bay

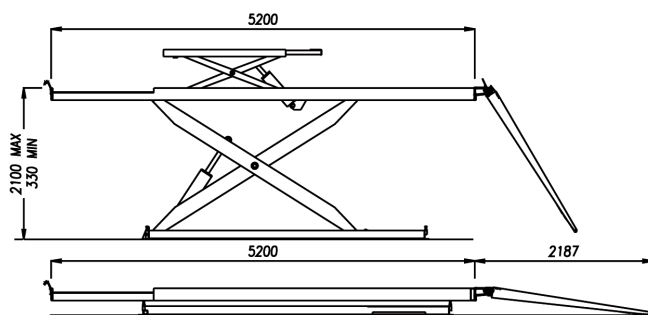


Fig. size

Description:

- Platform length of 5200 mm for extremely long vehicles
- Lifting time 40 s.
- Little maintenance required
- Sturdy design with overall weight of 2320 kg (underfloor version)
- Surface or underfloor installation
- Full protection against corrosion, zinc coated treatment and painting
- Automatic level control

Special accessories

Description	VLS 5450LA	VLS 5450LP
Fastening materials	1 692 875 032	1 692 875 032
Lighting kit LED	1 692 875 037	1 692 875 037
Hose extension + 2 Meter	1 692 875 038	1 692 875 038
Jacking beam 2000 kg	1 692 875 002	1 692 875 002
Jacking beam 3000 kg	1 692 875 004	1 692 875 004
Elastomer block H=20 mm (1 piece)	1 692 875 033	1 692 875 033
Elastomer block H=40 mm (1 piece)	1 692 875 034	1 692 875 034
Elastomer block H=60 mm (1 piece)	1 692 875 037	1 692 875 037
Elastomer block H=80 mm (1 piece)	1 692 875 035	1 692 875 035
Elastomer block H=100 mm (1 piece)	1 692 875 036	1 692 875 036

Technical data

VLS 5450

Basic version	VLS 5450LA	VLS 5450LP
P/N, Elevated or under-floor lift, without access ramps	1 692 851 318	1 692 851 320
Depending on the desired configuration (Elevated/Under-floor), the correct type of access ramps must be ordered		
Drive-in ramps for installation elevated	1 692 875 029	1 692 875 029
Drive-in ramps (4 x) für installation under-floor	1 692 875 001	1 692 875 001

Technische Daten		
Type	Scissor lift	Scissor lift
Drive	Electrohydraulic	Electrohydraulic
Loadbearing capacity	5 t	5 t
Drive motor	4 kW	4 kW
Lifting height elevated/under-floor	2100 mm / 1770 mm	2100 mm / 1770 mm
Platform length	5200 mm	5200 mm
Platform width	700 mm	700 mm
Lifting time	40 sec	40 sec
Minimum height elevated / under-floor	330 mm / 0 mm	330 mm / 0 mm
Hydraulic synchronization safety system	Yes	Yes
Double cylinder in each scissor mechanism	Yes	Yes
Safety latching device	Yes	Yes
Integrated auxiliary lift	Yes	Yes
Secondary lift loadbearing capacity	4 t	4 t
Secondary lift lifting height	560 mm	560 mm
Secondary lift platform length	1500 / 1940 mm	1500 / 1940 mm
Elastomer blocks included in scope of delivery	Yes	Yes
Fluid pressure	310 bar	310 bar
Minimum concrete thickness	140 mm Grade C25/30	140 mm Grade C25/30
Power supply	400V / 3 ph / 50 Hz / 16A / E+N	400V / 3 ph / 50 Hz / 16A / E+N
Compressed air supply	6-8 bar	6-8 bar
Fluid quantity	25 l	25 l
CE certification	Yes	Yes
Net weight	2320 kg	2050 kg

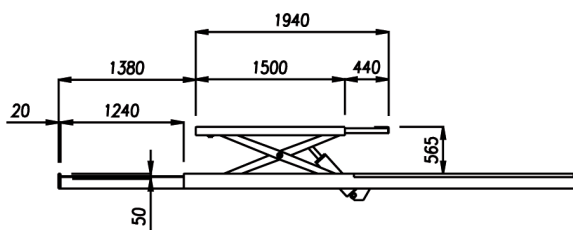
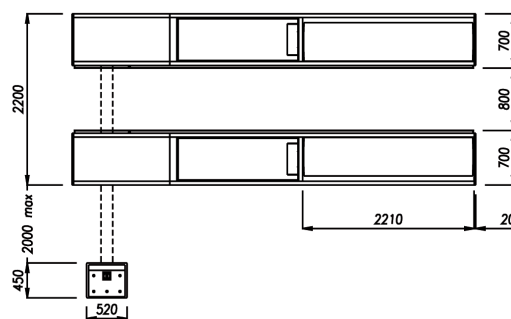


Fig. size



Technical and programm changes reserved. Ask your your Beissbarth sales partner for a binding offer.
Order number 1693 608 012 Printnorm BB XXX / 19.05.2019 EN

www.beissbarth.com

Beissbarth GmbH
Hanauer Strasse 101
80993 Munich | Germany

Phone: +49-(0)89-14901-0
Fax: +49-(0)89-14901-246
E-mail: sales@beissbarth.com

