

BRAKE TESTERS FOR CARS

**BD 4 SERIES: ROLLER WIDTH OF 700 OR 1000 MM,
ELECTROMAGNETIC BRAKE, 4WD AND
NEW ICPERFORM GARAGE CAR SOFTWARE**



**NEW AND NOW
WITH TABLET APP!**



Brake testing for cars

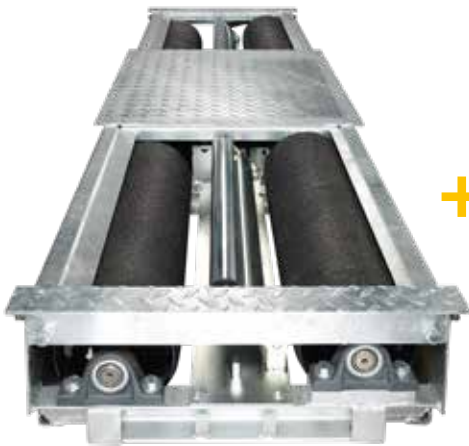
Beissbarth BD 4 series



- MODULAR COMPILATION WITH CONFIGURATOR
- NEW SOFTWARE AND TABLET APP
- SWITCHBOARD WITH ASA LIVESTREAM AND USB
- ELECTROMAGNETIC BRAKE AS DRIVE-OFF ASSISTANT
- CAN OPTIONALLY BE EXPANDED AS TEST LANE

BD 4 series brake tester

Standard scope of delivery



Set of rollers



Display (analogue or digital)



Switchboard / Power Box

Optional accessories

- Beissbarth trolley with computer, screen and keyboard
- Alternatively, you can also use the workshop's computer screens or tablet computers



BD 4 series: Beissbarth brake tester for cars

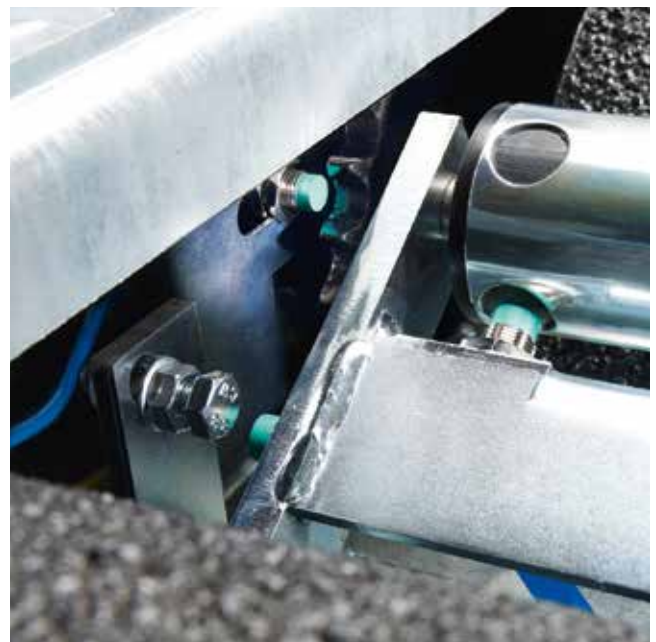


Set of rollers of the BD 4 series

The roller set is the core of the brake tester. By means of their rotation, the test rollers transmit the friction onto the wheel to be tested (DMS measurement system). At the standard version, the test rollers are coated with plastic/corundum. Due to its high friction coefficient, this material allows measuring the brake forces even in case of low axial loads. Each pair of rollers is powered by an own electric motor. The electromagnetic brake serves as a drive-off assistant.



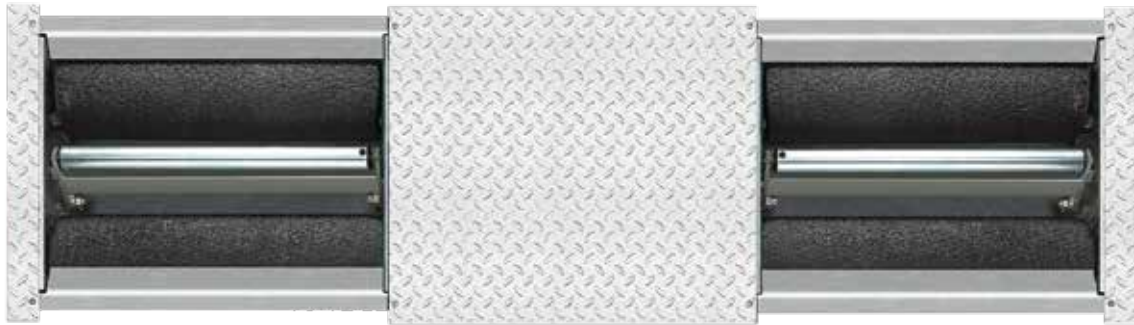
The sensing roller monitors the wheel run (slip testing) and the wheel position. It thus assumes the switching and safety function of the brake tester. The step protection is located below the sensing rollers.



The reaction forces resulting when braking are measured, recorded and analysed by sensors and then transmitted to the display unit.

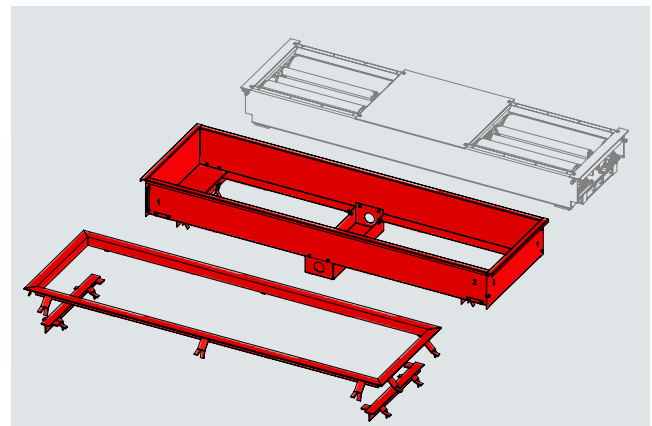
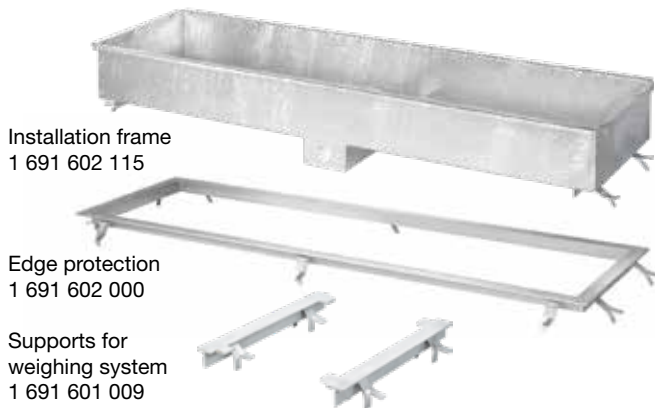
Basic version with 700 and 1 000 mm rollers

Standard with all-wheel and speed sensors



700 mm rollers: 2.5 t axle load, maximum 4 t crossing capacity; track test width minimum 800, maximum 2 200 mm

Installation:

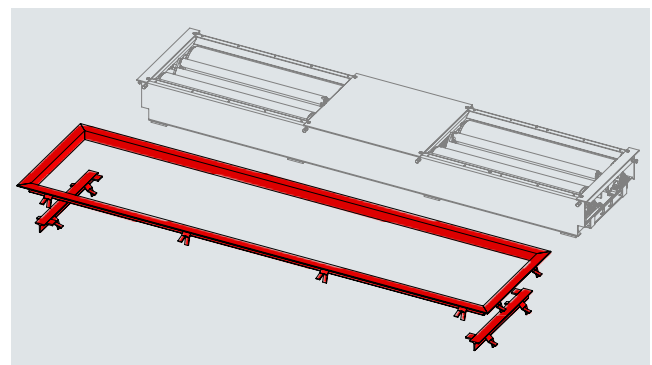
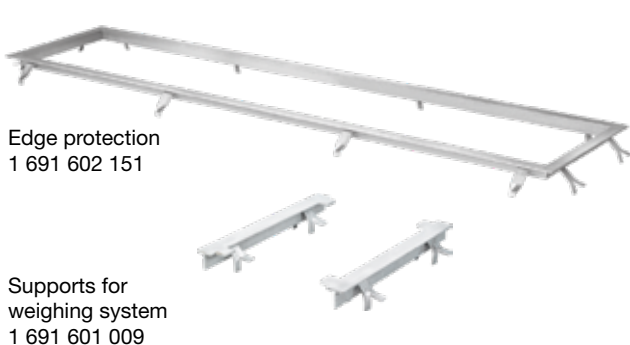


Size of the roller set: 250 x 2360 x 660 mm (installation see pp. 32 ff)



1 000 mm rollers: 2.5 t axle load, maximum 4 t crossing capacity; track test width minimum 800, maximum 2 800 mm

Installation:

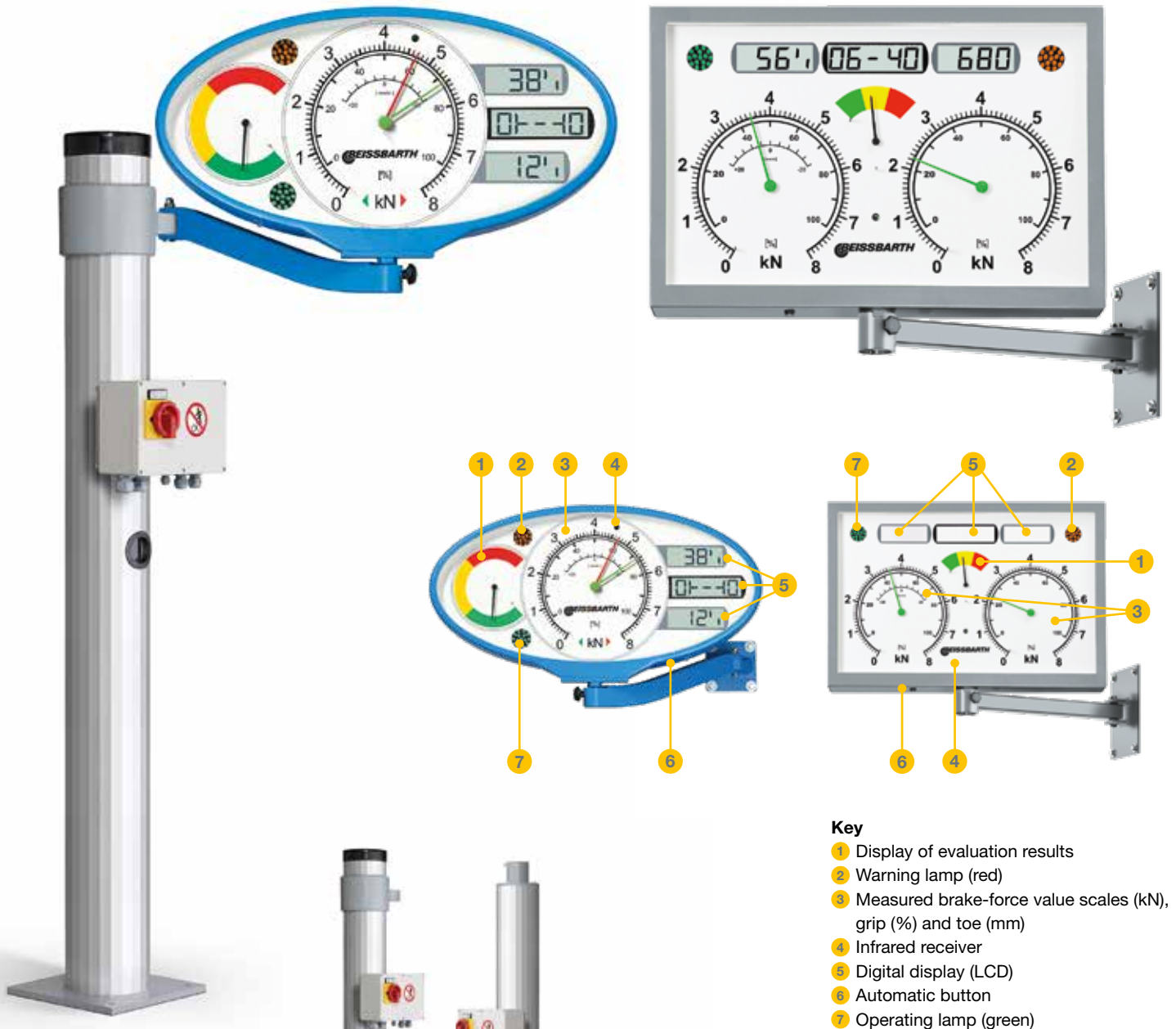


Size of the roller set: 280 x 2962 x 660 mm (installation see pp. 32 ff)

Analogue simultaneous display with wall mount or on a post

Analogue simultaneous display:

The wall-mounted swivel arm is part of the standard scope of delivery of all versions with simultaneous displays. Optionally, an aluminium post can also be used.



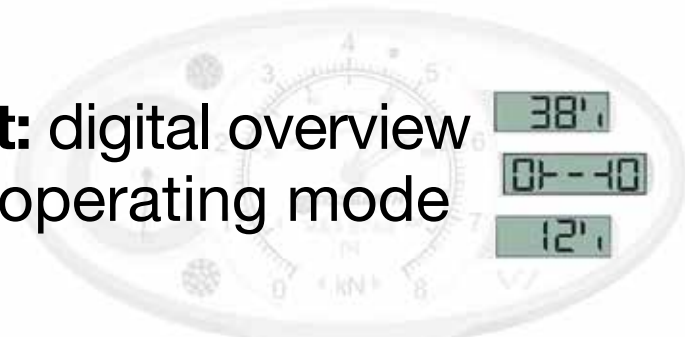
Aluminium post for oval-shaped display

Lateral fixture, ground plate and clamp
1 691 600 470

Aluminium post for square display

Central fixture on the top, ground plate
1 691 810 722

Display versions/LCD kit: digital overview of measured values and operating mode



Displays with and without optional LCD kit

All analogue Beissbarth displays (left column) can optionally be complemented by an additional three-part LCD display set (order number 1 691 601 025). They are already equipped with place holders for subsequent retrofitting of the LCD display set.

In this manner, the analogue indicator display is complemented by a digital display of axial weight, deceleration in percent and difference in brake force.

Oval-shaped simultaneous display

RAL 5015

with LCD 1 691 601 752

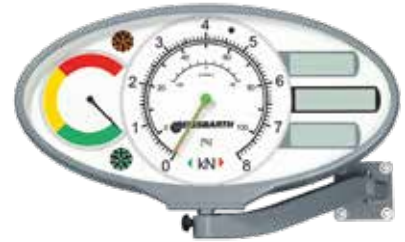


Oval simultaneous display

RAL 7040

with LCD 1 691 601 767

without LCD 1 691 601 771



Square simultaneous display

RAL 7016

with LCD 1 691 601 762

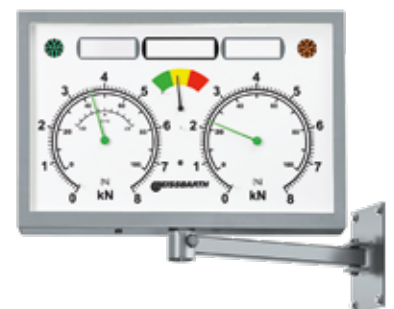


Square simultaneous display

RAL 7040

with LCD 1 691 601 768

without LCD 1 691 601 776



Power Box

Compact and service-friendly:

The Beissbarth Power Box

- All electronic components are safely stored within a light-weight and easily accessible housing
- Easily recognizable and accessible ASA-livestream interface integrated into the housing
- Handy USB interface for the connection of a customer PC (optional)*
- 230 V socket** for the laptop of the service-technician or tester
- Easily accessible main switch with emergency shutdown
- Integrated door pocket for the technical documentation
- Wall mount (series version) or column (optional)

* Linkage is possible by means of the integrated PC kit 1 691 601 397 (see accessories for PC connection)

** Requires separate commissioning by an authorized technician

ASA livestream

According to the brake testing guideline, brake testers are to be equipped with a standardized ASA interface. This Ethernet interface with RJ45 port is to be easily accessible from the exterior and marked accordingly. The ASA interface allows the exchange of data between the brake tester and the test organization's productive systems. No linkage to other workshop networks is allowed while performing the test. A 230 V socket is required for the power supply during the test.



Power Box
(included in
all variants
of BD 4xxx)



Column for
Power Box
(optional)
1 691 601 435



230 V socket** and optional
USB port



ASA livestream interface



Door pocket for the technical
documentation

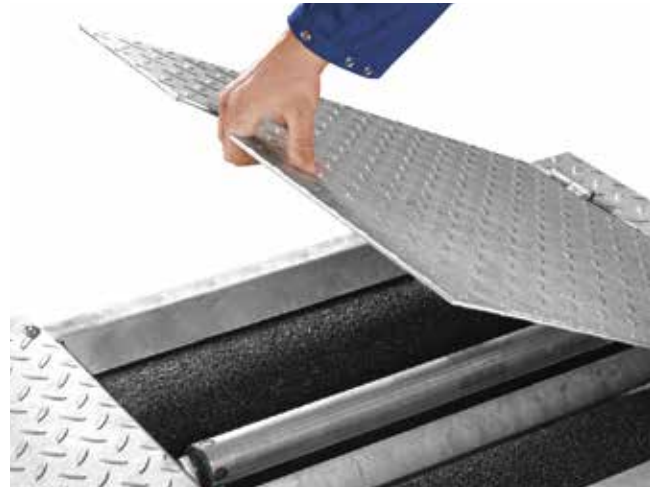


Wall mount set (standard)

Lasting and robust: hot-dip galvanized components and cover plates (optional)



Roll-over protection by means of swivel-mounted roller cover plates



Quick and easy handling

Installation:

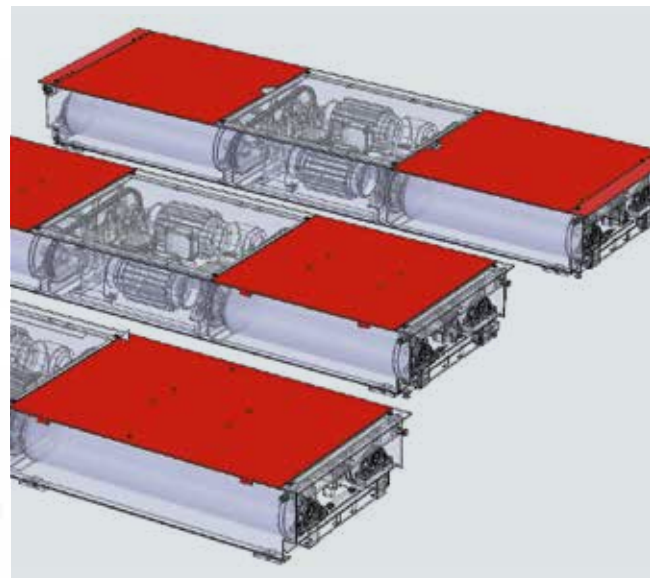
700 mm roller cover plates
swivel-type
1 691 601 011



plug-type
1 691 601 010



1 000 mm roller cover plates
(as plug-type only) 1 691 602 112



Durable, hot-dip galvanized components



Wear-resistant rollers coated with plastic/corundum

Monitor installation

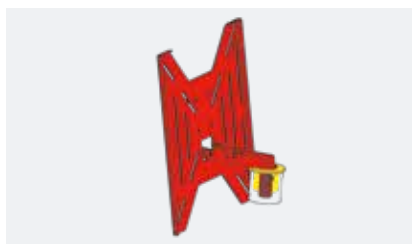
Use your favorite configuration



Monitor installation: Wall-mounted or post-mounted

Option 1: wall mounted

- Monitor bracket
- Swivel-arm



Monitor bracket 1 691 812 325

+



Swivel-arm for monitor bracket 1 691 601 959

Option 2: post mounted

- Monitor bracket
- Aluminium post

Using the workshop's own monitor for brake testing: There are several different solutions for the installation of the workshop's own cost-saving display – whether as wall mount or on Beissbarth aluminium post.



Monitor bracket 1 691 812 325

+



Aluminium post 1 691 810 722

The new tablet app: mobile application using ICperform Garage Car



**ICPERFORM GARAGE
CAR TABLET APP!**



Process control via own Android tablet

- Same display as on the monitor of the workshop computer
- All brake values displayed in real time and intuitively
- Stable connection via WLAN – even inside the vehicle

Mobile and comfortable operation from inside the vehicle

- No unnecessary getting in and out of the vehicle
- Test routine can be performed sitting on the driver's seat
- Hard copy printout and archiving of the test values
- Integrated remote control

Just download the app at [Google Play \(play.google.com\)](https://play.google.com) and try it out for 30 days – and for free. Licence 1 691 601 962 at the Beissbarth hotline



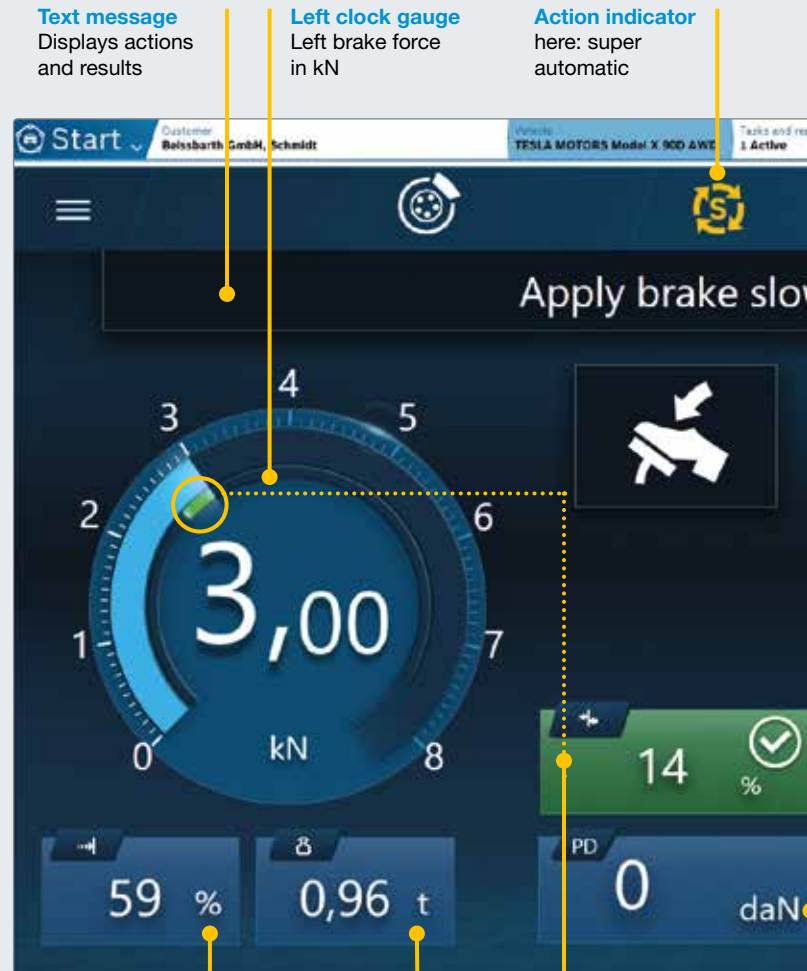
ICperform Garage Car with new tablet app



Start screen ICperform Garage Car



Parking brake



Text message
Displays actions and results

Left clock gauge
Left brake force in kN

Action indicator
here: super automatic

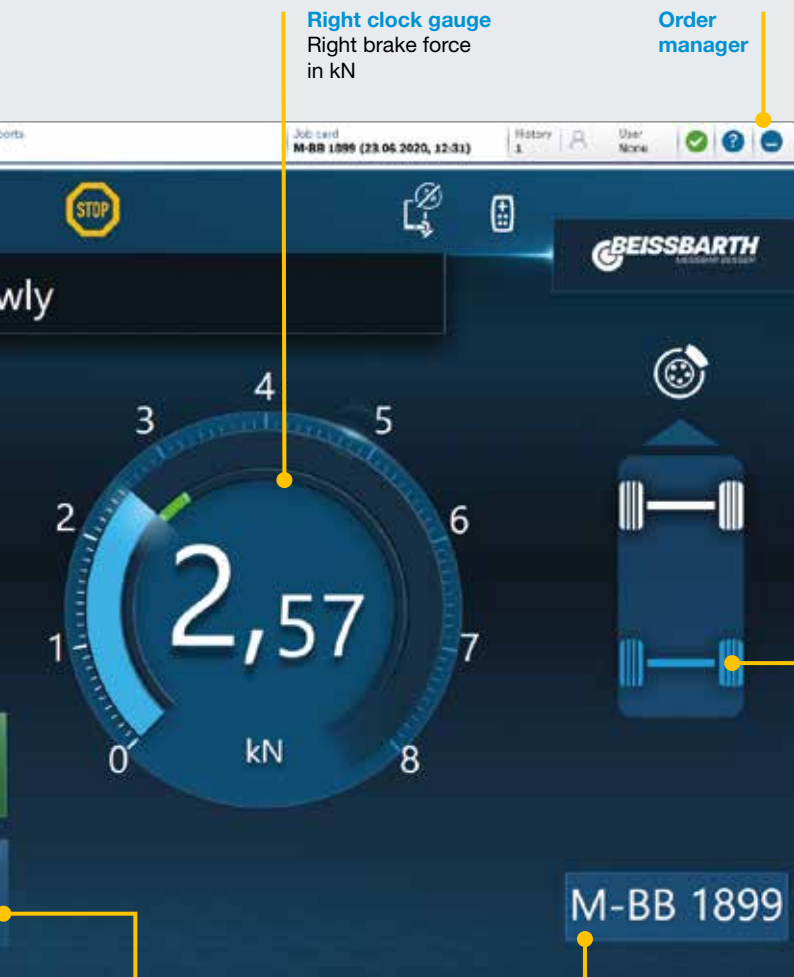
Axis braking
Calculated value from axle braking force and axle weight in percent

Axle load
in tons

Brake-force difference indicator
Difference between left and right brake force in percent. Within the tolerance range displayed in green, outside in red.

ICperform Garage Car Software: intuitive and fast use

- Optimum display of all relevant measured values
- Easy handling
- Faster brake testing
- Print and database functions
- Connection with other test devices within the test lane



Brake force difference



Ovality measurement

Brake pedal force
measured in daN

Licence plate
of vehicle

Measured
axle



Beissbarth software module

Mode	Function
Bosch Connected Repair	Order manager, save and print (local/network)
ICperform Garage Car	Visualising of the measurement (GUI for brake testers)

Flexible concept for PC cabinet



Accessories	Configuration
	<p>Practical standard PC cabinet (basic version w/o any equipment)</p> <p>Order number: 1 691 811 250</p>
	<p>Monitor holder to fit standard PC cabinet (up to 27")</p> <p>Order number: 1 691 811 250 1 693 740 884</p>
	<p>Standard PC cabinet with full PC equipment (incl. monitor holder)</p> <p>Order number: 1 691 811 250 1 691 810 743</p>

System requirements

Min. PC requirements

- Operating system: Windows 7, Windows 10, 64 Bit
- Processor: Celeron 2.7 GHz
- Random access memory: 4 GB
- Hard disk: 500 GB
- Serial port: 2 x RS232 (COM)



Min. PC display requirements (trolley)

- Size: 27"
- Solution: 1920 x 1080
- Width-to-height ratio: 16:9

Min. HDMI-TV requirements (substitute for analogue display)

- Minimum size: 40"
- Recommended size: 55"
- Solution: 1920 x 1080
- Width-to-height ratio: 16:9

Min. tablet requirements

- Operating system: Android 5.0 or higher
- Minimum size: 8"
- Recommended size: 9,6"
- Width-to-height ratio: 16:9 or 16:10
- Basic requirement: WLAN network with router

ICperform PC kits mandatory for PC use

Illustration	Software & kits (Choose 1 of 4)	Order number
	<p>Integrated ICperform PC kit including software and tablet app licences ICperform Garage Car</p> <p>Computer interface kit for installation into the new control cabinet, direct connection to the computer via USB cable (up to 1.5 m), USB board for control cabinet, USB cable, ICPerform Garage Car software and tablet app licences (not for test lanes)</p>	1 691 601 964
	<p>External ICperform PC kit including software and tablet app licences ICperform Garage Car</p> <p>Computer interface kit with BUS cable for larger distances (standard 15 m, optional 30 m). USB box, USB cable, ICPerform Garage Car software and tablet app licences (not for test lanes)</p>	1 691 601 965
	<p>Integrated ICperform PC Kit with IR remote control and ICperform Garage Car software licence</p> <p>Computer interface kit for installation into the new control cabinet, direct connection to computer via USB cable (up to 1.5 m). USB board for control cabinet, USB cable, remote control, ICPerform software licence (not for test lanes)</p> <p>Prerequisite: serial PC interface (COM) for the operation of the receiver</p>	1 691 601 963
	<p>External ICperform computer kit with IR remote control and ICperform Garage Car software licence</p> <p>Computer interface kit with BUS cable for larger distances (standard 15 m, optional 30 m), USB box, USB cable, remote control, ICPerform Garage Car software licence (not for test lanes)</p> <p>Prerequisite: serial PC interface (COM) for the operation of the receiver</p>	1 691 601 966

Measured values and evaluation



Measured parameters at a glance

Calculation of the deceleration

Deceleration is a measure providing information on the performance of the brake system. It is defined as a percentage ratio based on brake force and weight.

Axial deceleration:

- Deceleration in percent
- Brake force per axle
- Axial weight
- Gravity

Total deceleration:

- Deceleration in percent
- Brake force on the front axle
- Brake force on the rear axle
- Total weight
- Vehicle weight
- Test weight
- Gravity

Deceleration of the parking brake:

- Deceleration in percent
- Brake force of the parking brake
- Total weight
- Vehicle weight
- Test weight
- Gravity

Evaluation of the ovality

The pedal force is kept at a constant level. BD 4xxx measures the resulting minimum and maximum brake force. The ovality is calculated as follows:

- Ovality in percent
- Maximum brake force
- Minimum brake force

Calculation of the grip at suspension tests

The grip is defined as a ratio between minimum dynamic wheel load at the resonance range and the static. The ovality is calculated as follows:

- Grip in percent
- Minimum dynamic axle load
- Static wheel load (weight)

Auto Service

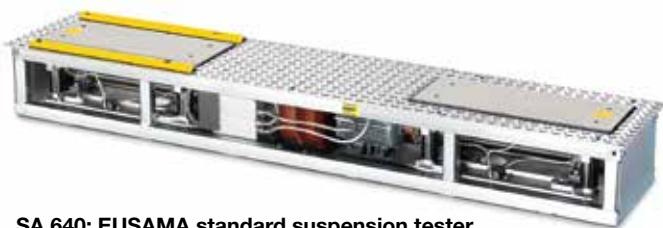


Upgrade into a test lane: brake tester with EUSAMA suspension tester



EUSAMA measurement:

For the functional suspension and shock-absorber tests, the vehicle is vibrated using the EUSAMA tester.



SA 640: EUSAMA standard suspension tester

- 400V – 1 691 620 307
- 230V – 1 691 620 311 (special voltage for export)



SN 680: EUSAMA tester with noise simulation

- 400V – 1 691 620 309
- 230V – 1 691 620 308 (special voltage for export)

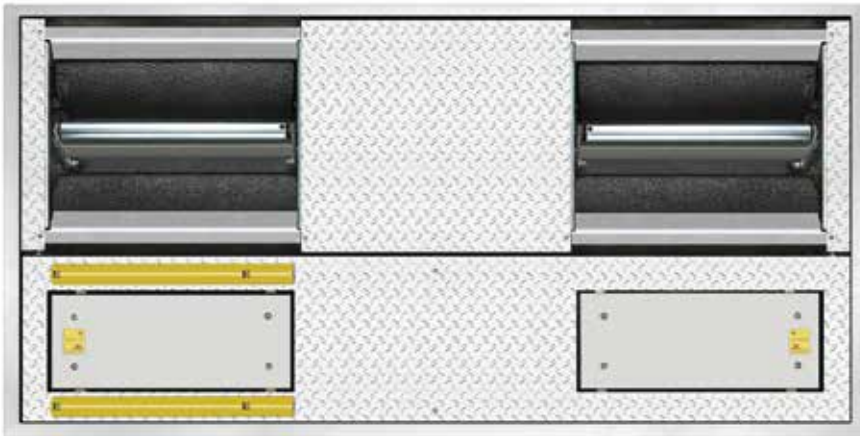


Testing with the help of vibration simulation



Testing with the help of noise simulation

SA 640 and SN 680 suspension tester



EUSAMA SA 640 suspension tester

Grip in %

EUSAMA SN 680 suspension tester

- Grip in %
- Resonance frequency in hertz



Drive-on support for SA 640 / SN 680 (optional)

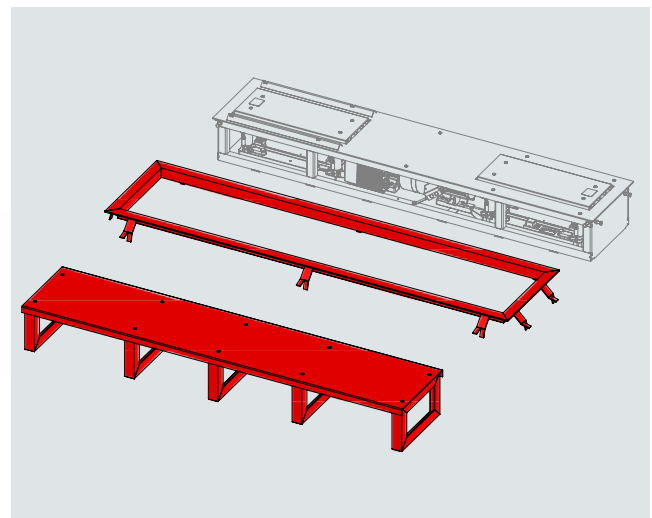
1 691 621 017

Installation of the EUSAMA suspension tester:



Edge protection
1 691 622 002

Drive over ramp to
replace SA/SN 6xx
1 691 621 026



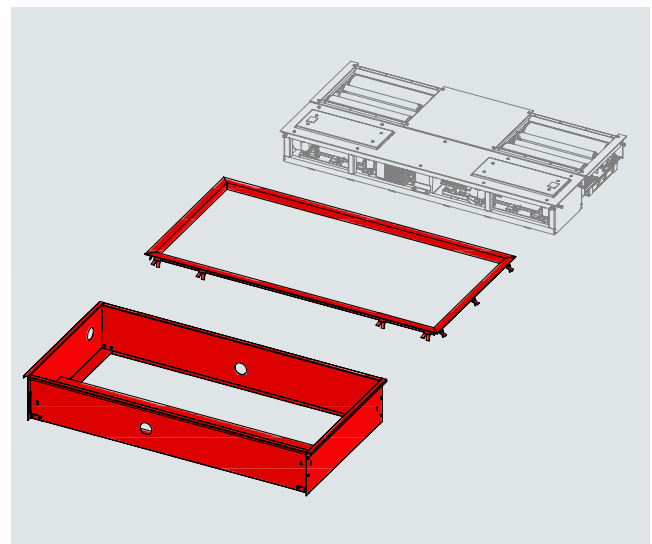
SA 640 size: 250 mm x 2360 mm x 660 mm

Installation of the EUSAMA suspension tester plus BD 4:



Edge protection
1 691 602 001

Installation frame
1 691 602 002



Installation supports (Size see pp. 32 ff)

Vehicle diagnosis at the reception: brake tester with EUSAMA suspension tester



Brake test at the test lane with EUSAMA suspension tester



Alternative for EUSAMA test: Suspension test with the Theta test procedure



Theta suspension tester
as alternative for EUSAMA measurement

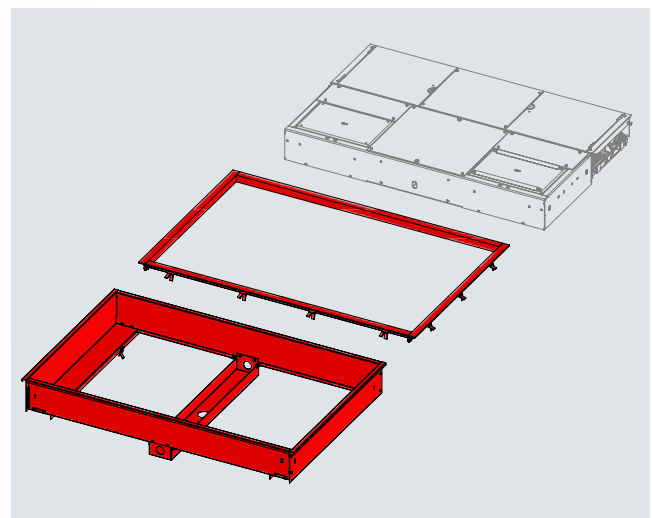
Standard 1 692 106 690
Noise simulation 1 692 106 695

Installation of an SAT 69x suspension tester with brake tester:

Edge protection for
test lane with SAT 69x
1 691 602 242



Installation frame for
test lane with SAT 69x
1 691 602 241



Installation supports (Size see pp. 32 ff)

ST 600 toe test plate

Add-on for CP 610 toe compensation plate



750 x 440 x 47 mm



Testing toe in and out

The ST 600 toe test plate is used to test the toe in and out of (two-track) vehicles. On a laterally sliding steel plate a sensor (resistive wire strain) measures the lateral deviation.



Installation frame for side slip tester ST 600
1 691 632 000



ST 600 side slip tester
1 691 631 013

Neutralising mechanical tensions within the suspension

The combinable CP 610 small toe compensation plate is meant to compensate undesired mechanical tensions on the chassis prior to the toe measurement. This makes toe measurement repeatable.



CP 610 toe compensation plate
1 691 631 404



Installation frame for ST 600 side slip tester and toe compensation plate
1 691 632 001



Size: 1100 x 440 x 47 mm

GST 651 play detector to check the axle geometry

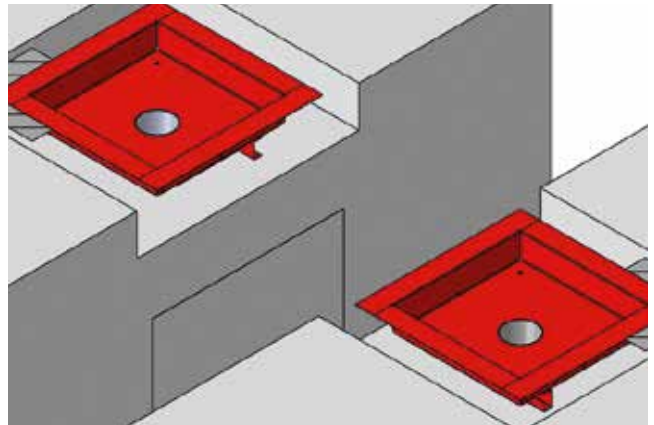


730 x 730 x 130 mm



Diagnoses of wheel suspension and axle mounting

Defects and signs of wear on wheel suspension and axial mounting can be identified using the GST 651 play detector. Displacement of the test plates is used to brace the axial geometry of the axle to be tested. In this manner, undue play on joints and wheel bearings can be identified and cracks on the knuckles can be spotted. For axle loads of up to 4 000 kg (maximum).



Installation frame for play detector (right and left)

400 V – 1 691 650 000
230 V – 1 691 650 001
(special voltage for export)

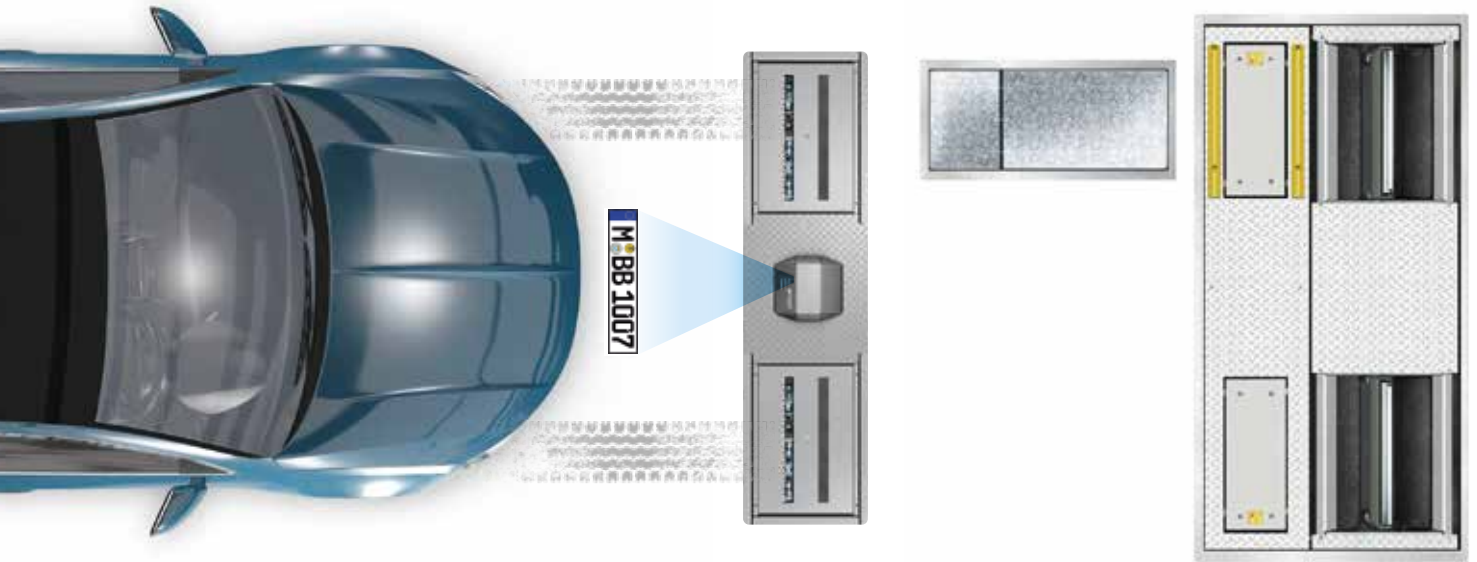


Installation frame for GST 651 play detector
1 691 651 001

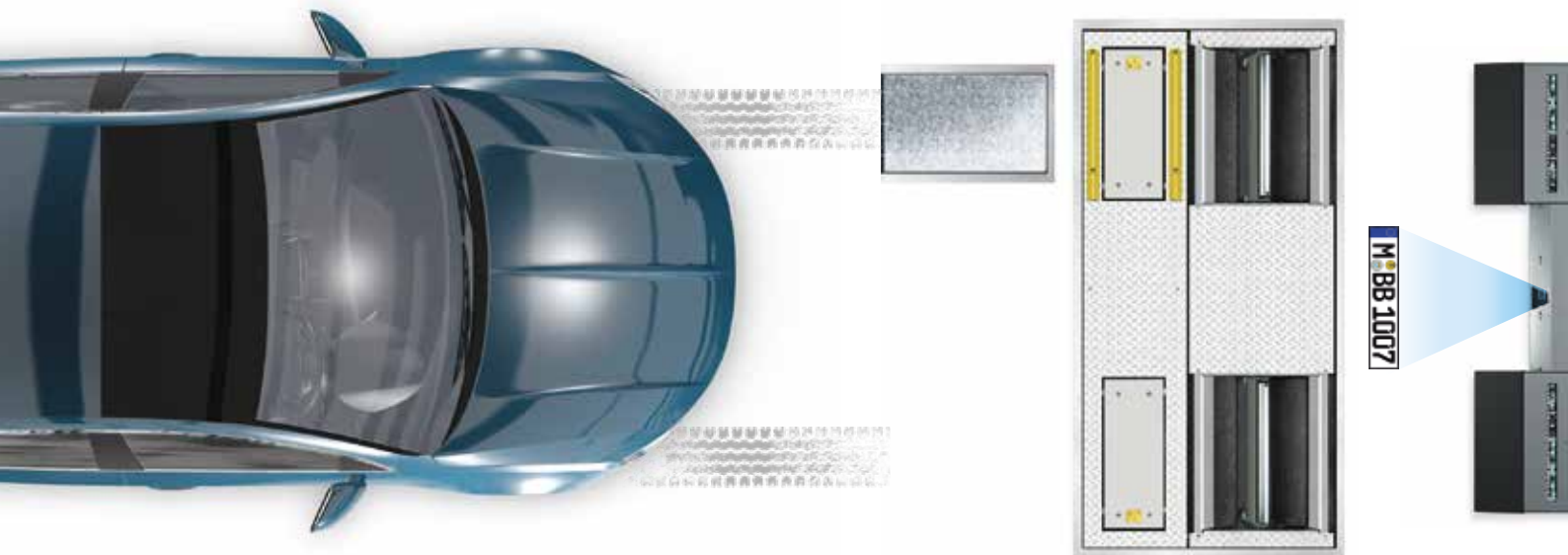


The control lamp combines the function of a torch with a practical control panel.

Brake testers at the test lane: options for the vehicle reception



Tyre tread measurement Toe tester Suspension tester Brake tester



Toe tester Suspension tester Brake tester Tyre tread



Easy 3D+ wheel alignment on LTB 300

DAS adjustment



measurement

Touchless contact-free wheel alignment on LTB 300

Headlight testing

Technical specifications

Technical specifications of roller sets

Description	Roller width 700 mm Models BD 4X0X, BD 4X1X, BD 4X2X and BD 4X3X	Roller width 1 000 mm Models BD 4X4X, BD 4X6X, BD 4X7X and D 4X8X
Measuring system	Bending beam with strain gauges	
Maximum drive over load	4 000 kg	4 000 kg
Dimensions (L x W x H)	660 x 2 360 x 250 mm	660 x 2 962 x 280 mm
Weight approx.	420 kg	540 kg
Coefficient of friction (dry)	0.8	0.8
Coefficient of friction (wet)	0.8	0.7
Roller diameter	205 mm	205 mm
Maximum track	2 200 mm	2 800 mm
Minimum track	800 mm	800 mm
Roller axle distance	381 mm	381 mm
Height difference of rear roller to front roller	25 mm	25 mm
Height difference roller edge to workshop floor	-10 mm	-10 mm
Minimum wheel diameter	320 mm	320 mm
Minimum rim size	10"	10"
Smallest testable wheel diameter*	400 mm	400 mm
Smallest testable rim size*	13"	13"
Largest testable wheel diameter*	1 000 mm	1 000 mm
Largest testable rim size*	32"	32"
Protection (according to DIN 40 050)	IP 54	IP 54
Power supply	Main switch box or cabinet	Main switch box or cabinet
Emission sound pressure level at working place	≤70 dB(A)	≤70 dB(A)

Technical specifications of electrical motors

Description	Model BD 41XX, BD 42XX, BD 43XX	Model BD 44XX, BD 45XX, BD 46XX
Motor power	2 x 3.7 kW	2 x 5 kW
Test speed	5.2 km/h	5.2 km/h
Gear ratio	21.477	21.477
Motor revolution speed	2 870	2 845
Motor connection cable	4 x 2.5 mm ²	4 x 2,5 mm ²

Technical specifications of Beissbarth Power Box (see p. 10)

Description	Specification
Dimensions (L x W x H)	650 x 260 x 640 mm
Weight approx.	25 kg
Protection (according to DIN 40 050)	IP 54

Power data 230 VAC

Description	Specification
Voltage supply: 3,7 kW/5,0 kW motor	3 x 230 V/50–60 Hz
Rated current: 3,7 kW/5,0 kW motor	28 A/48 A
Fuse protection (customer): 3,7 kW/5,0 kW motor	32 A/50 A; 3 pole
Supply cable (customer): 3,7 kW/5,0 kW motor	4 x 6 mm ² /4 x 10 mm ²
Fuse type (customer)	Tripping characteristics „C“ 3-pin
Make brake capacity of main switch	63 A

Power data 400 VAC

Description	Specification
Voltage supply: 3,7 kW/5,0 kW motor	3 x 400 V/50–60 Hz
Rated current: 3,7 kW/5,0 kW motor	16 A/28 A
Fuse protection (customer): 3,7 kW/5,0 kW motor	25 A 3/32 A; 3 pole
Supply cable (customer): 3,7 kW/5,0 kW motor	5 x 4 mm ² /5 x 6 mm ²
Fuse type (customer)	Tripping characteristics „C“ 3-pin
Make brake capacity of main switch	32 A

Additional accessories

Technical data and accessories

Illustration	Remote control	Order number
	Remote control with battery	935 702 001
	Receiver for the remote control Prerequisite: serial PC interface (COM)	977 251 428
Not illustrated	Extension cable for receiver	977 251 127
	Remote control (incl. battery) and receiver Prerequisite: serial PC interface (COM)	935 702 038


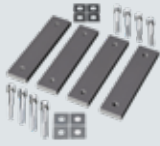
Illustration	Mechanical suspension tester	Order number
	Installation kit for SA 640 suspension tester required for installation without installation tray	1 691 621 001
	Clamp set for EUSAMA suspension tester required for installation into installation tray 1 691 602 002	1 691 621 000
Not illustrated	30 m 400 V cable (Power Box / suspension tester)	935 603 369
Not illustrated	30 m 230V cable (Power Box / suspension tester)	935 603 371
Not illustrated	30 m BNet cable (Power Box / suspension tester)	935 603 202

Illustration	Roller-set mechanics	Order number
	Thickness spacer (incl. installation frame for use with EUSAMA suspension tester)	935 603 042
	Axle load scale (4 sensors)	1 691 601 606
	Pedal force sensor BPF 200 radio	1 691 601 401
	400 V smooth start	1 691 601 437
	230 V smooth start (Export)	1 691 601 438
Not illustrated	30 m 400 V cable (Power Box / set of rollers)	1 691 601 444

BD series 4 for cars: Configurator

BD	X	X	X	X	S	X	X	
BD	4							Brake tester for cars with axle load up to 2.5 t (3.7 kW) respectively up to 4 t (5 kW)
BD		1						3.7 kW roller set kit, Power Box, examination speed 5.2 km/h
BD		2						3.7 kW roller set with display (without LCD), Power Box, examination speed 5.2 km/h
BD		3						3.7 kW roller set with display (incl. LCD), Power Box, examination speed 5.2 km/h
BD		4						5 kW roller set kit, Power Box, examination speed 5.2 km/h
BD		5						5 kW roller set with display (without LCD), Power Box, examination speed 5.2 km/h
BD		6						5 kW roller set with display (incl. LCD), Power Box, examination speed 5.2 km/h
BD			0					700 mm rollers, not suitable for 4WD, without electromagnetic motor brake
BD			1					700 mm rollers, not suitable for 4WD, with electromagnetic motor brake
BD			2					700 mm rollers, suitable for 4WD, without electromagnetic motor brake
BD			3					700 mm rollers, suitable for 4WD, with electromagnetic motor brake
BD			4					1 000 mm rollers, not suitable for 4WD, without electromagnetic motor brake
BD			6					1 000 mm rollers, not suitable for 4WD, with electromagnetic motor brake
BD			7					1 000 mm rollers, suitable for 4WD, without electromagnetic motor brake
BD			8					1 000 mm rollers, suitable for 4WD, with electromagnetic motor brake
BD				1				Speed sensors
BD				2				Speed sensors, ASA livestream

Special variants and accessories in the scope of delivery

BD					S	0		(neutral)
BD					S	1		230 V
BD					S	2		Spike rollers
BD					S		0	(neutral)
BD					S		4	Drive-over plate, pluggable
BD					S		6	Integrated ICperform PC & Drive-over plate, pluggable

Models for the German market*

Description	Order number
BD 4122	1 691 600 624
BD 4132	1 691 600 642
BD 4132 S06	1 691 600 889
BD 4182	1 691 600 670
BD 4222	1 691 600 630
BD 4222 S04	1 691 600 893
BD 4332	1 691 600 648
BD 4332 S04	1 691 600 894
BD 4382	1 691 600 672
BD 4482	1 691 600 888
BD 4632	1 691 600 896
BD 4682	1 691 600 879

*Power Box is included in all models

Models for the international market*

Description	Order number
BD 4131	1 691 600 644
BD 4131 S10	1 691 600 646
BD 4131 S20	1 691 600 654
BD 4431	1 691 600 852
BD 4431 S10	1 691 600 897
BD 4431 S20	1 691 600 854
BD 4481	1 691 600 868
BD 4481 S20	1 691 600 682
BD 4681	1 691 600 878

Configuration via internet www.equipment-configurator.com



Easy and fast online product configuration

Quick and save configuration of the right brake tester

- Choose comfortably the brake tester, the control devices and the best functional accessories
- Save time by entering a structured product range, offering only combinations of compatible brake testers and accessories
- Choose brake tester, functions and accessories fitting to your workshop

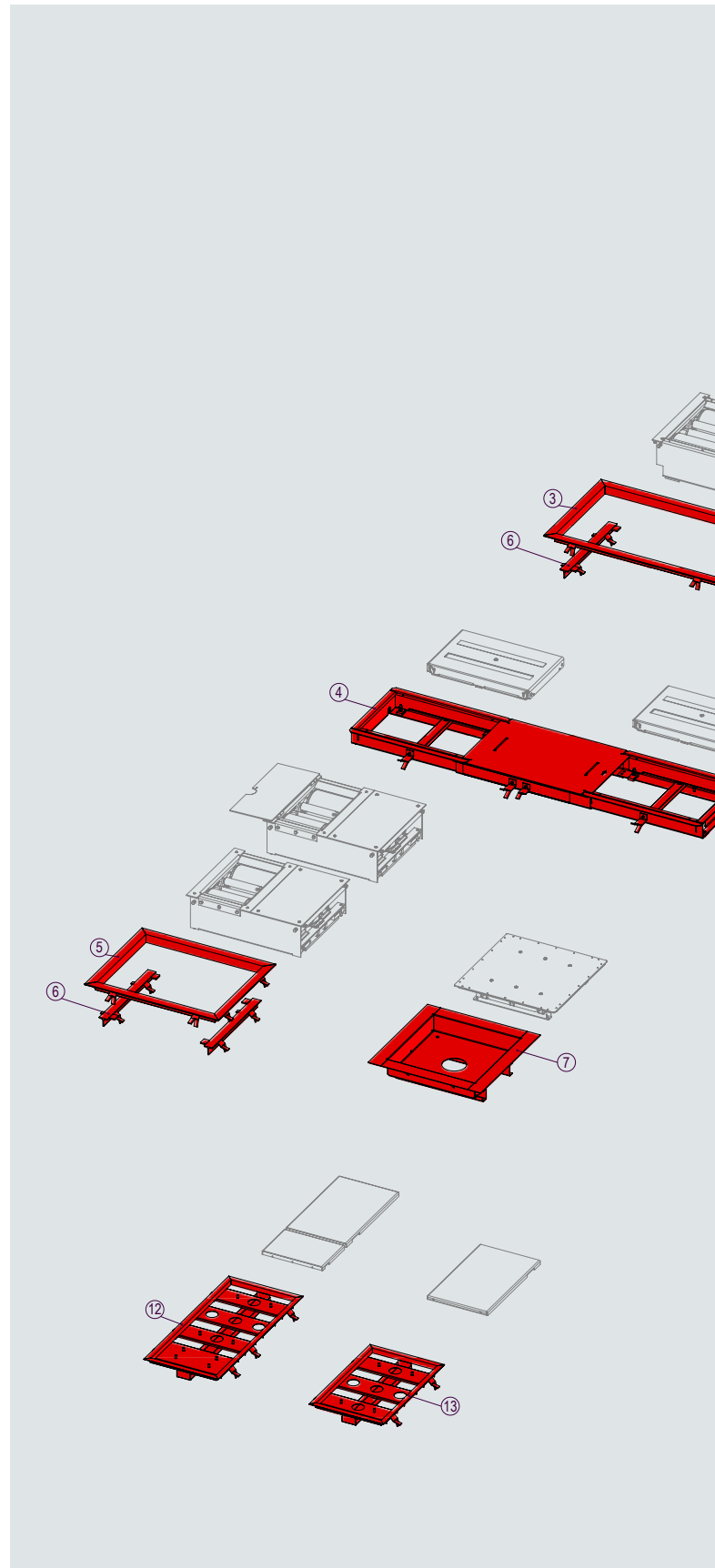
Do you still have any question about the product range or the configuration process? Please don't hesitate, to ask your Beissbarth sales partner..

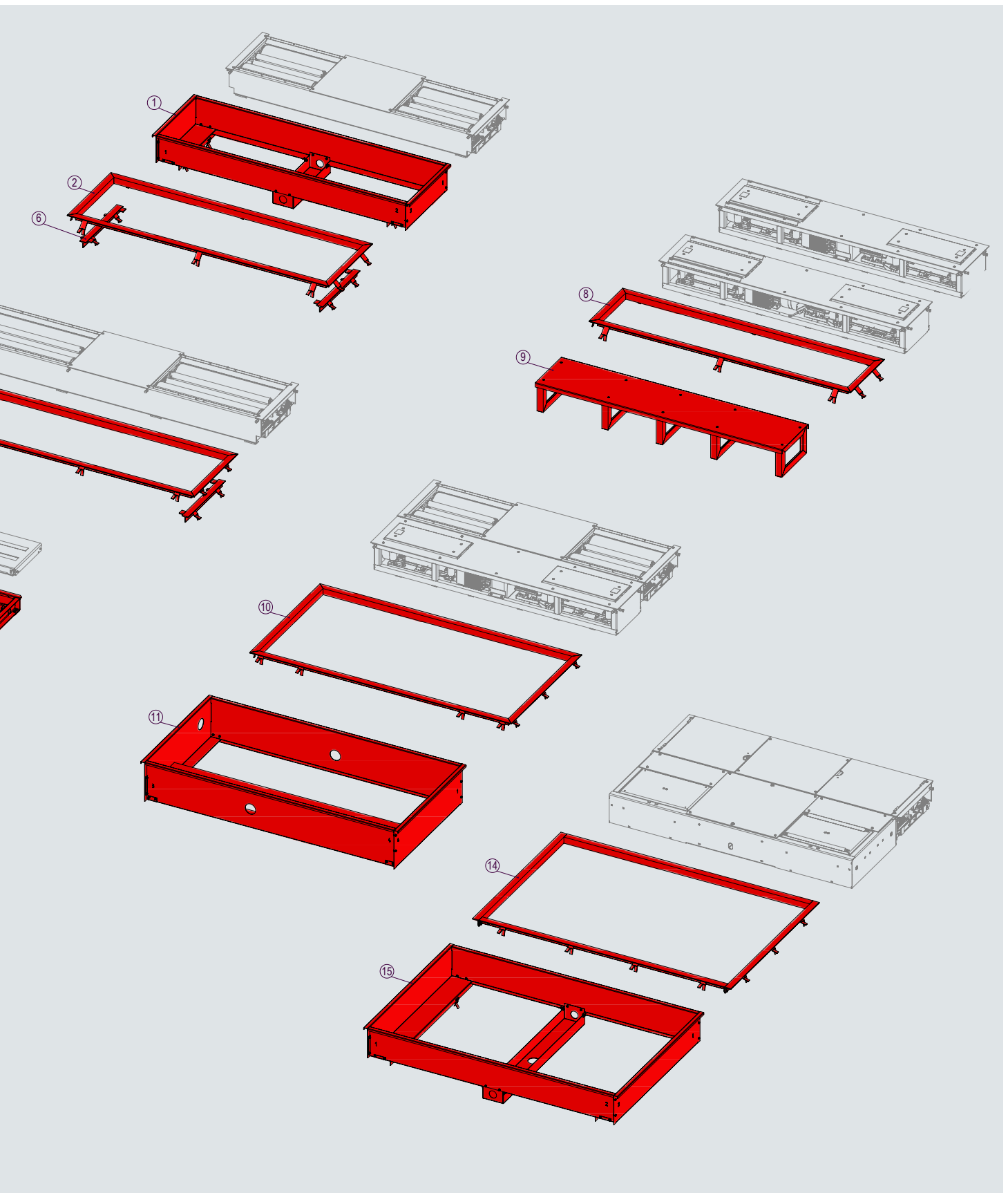
sales@beissbarth.com
www.equipment-configurator.com

Installation supports for brake testers and test lane

Installation supports

Nr.	Description	Order number
Car brake tester BD 4xxx, 700 mm		
1	Installation frame BD 4xxx, 700 mm	1 691 602 115
2	Edge protection BD 4xxx, 700 mm	1 691 602 000
Car brake tester BD 4xxx, 1000 mm		
3	Edge protection BD 4xxx, 1000 mm	1 691 602 151
Easy Tread		
4	Built-in frame Easy Tread (under floor)	1 691 202 064
Motor bike brake tester		
5	Edge protection BD 321 motor bike	1 691 300 014
6	Support for axle load scale (2 pieces)	1 691 601 009
Play detector GST 651		
7	Installation frame play detector GST	1 691 651 001
Suspension tester SA 640		
Suspension tester SN 680		
8	Edge protection SA 640/SN 680	1 691 622 002
9	Drive over ramp to replace SA/SN 6xx	1 691 621 026
Test lane SL/TL4 (BD4xxx, SA 640, SN 680)		
10	Edge protection BD 4xxx with SA 640 or SN 680	1 691 602 001
11	Installation frame for BD 4xxx with SA 640 or SN 680	1 691 602 002
Side slip tester ST 600		
Toe compensation plate CP 610		
12	Installation frame for side slip tester ST 600 +TCP	1 691 632 001
13	Installation frame for side slip tester ST 600	1 691 632 000
Suspension tester Theta SAT 69x (BD 4xxx with SAT 69x)		
14	Edge protection for BD 4xxx with SAT 69x	1 691 602 242
15	Installation frame for BD 4xxx with SAT 69x	1 691 602 241

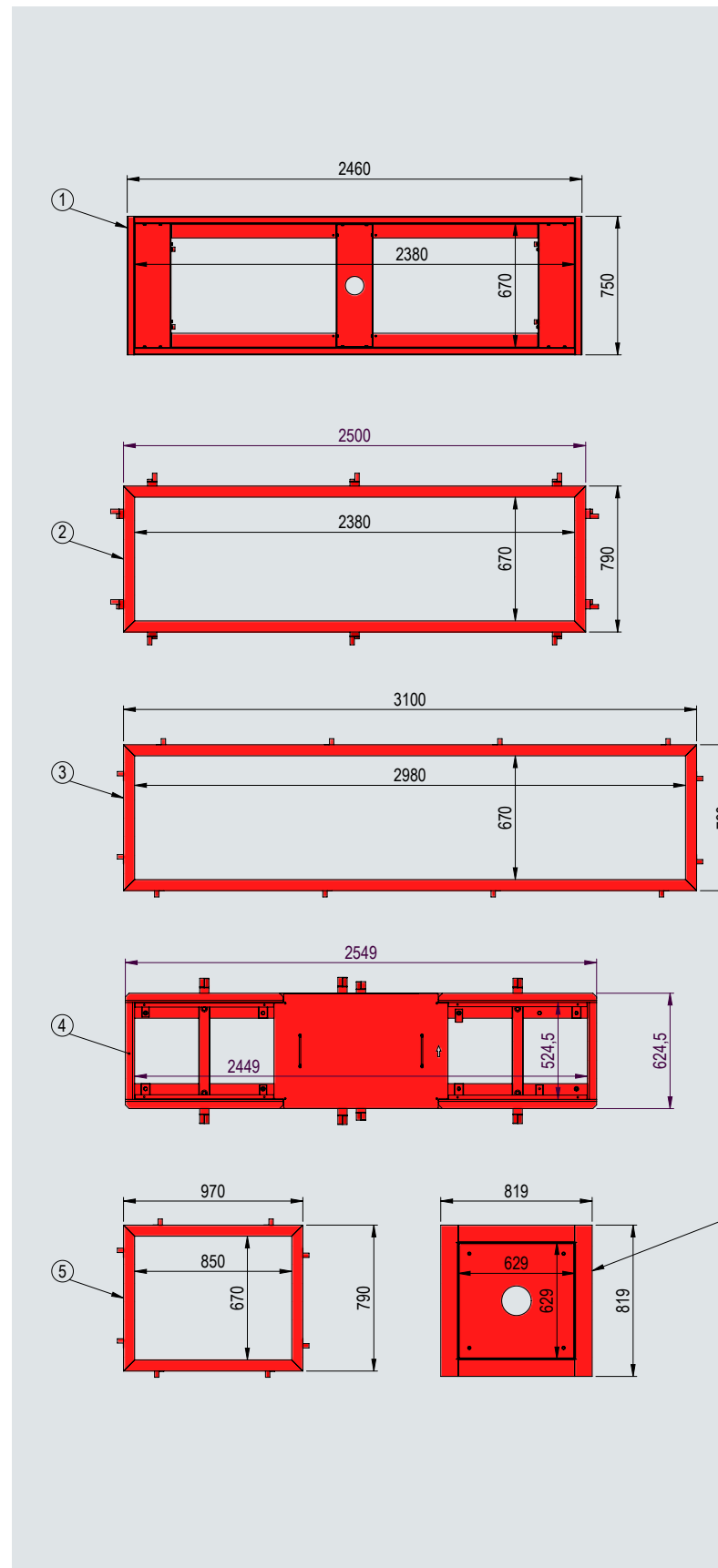


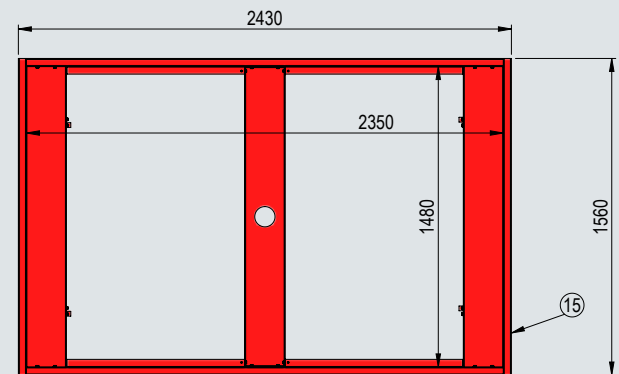
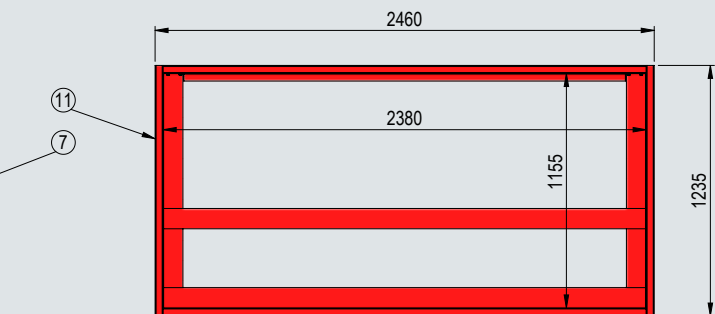
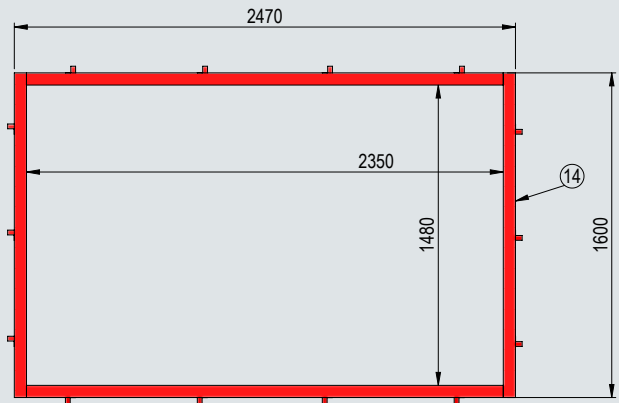
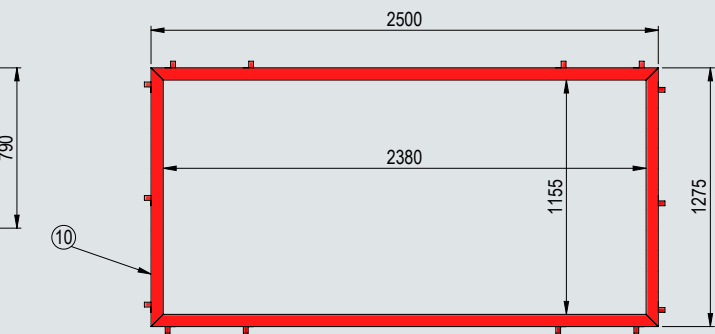
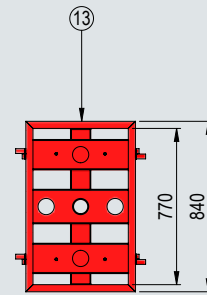
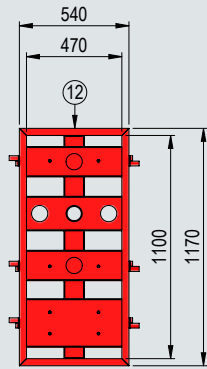
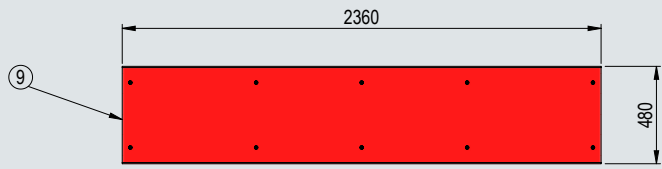
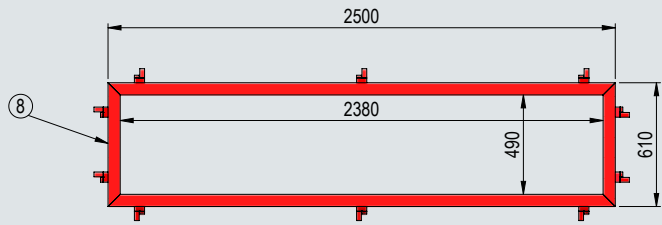


Installation supports for brake testers and test lane

Installation supports

Nr.	Description	Order number
Car brake tester BD 4xxx, 700 mm		
1	Installation frame BD 4xxx, 700 mm	1 691 602 115
2	Edge protection BD 4xxx, 700 mm	1 691 602 000
Car brake tester BD 4xxx, 1000 mm		
3	Edge protection BD 4xxx, 1000 mm	1 691 602 151
Easy Tread		
4	Built-in frame Easy Tread (under floor)	1 691 202 064
Motor bike brake tester		
5	Edge protection BD 321 motor bike	1 691 300 014
6	Support for axle load scale (2 pieces)	1 691 601 009
Play detector GST 651		
7	Installation frame play detector GST	1 691 651 001
Suspension tester SA 640		
Suspension tester SN 680		
8	Edge protection SA 640/SN 680	1 691 622 002
9	Drive over ramp to replace SA/SN 6xx	1 691 621 026
Test lane SL/TL4 (BD4xxx, SA 640, SN 680)		
10	Edge protection BD 4xxx with SA 640 or SN 680	1 691 602 001
11	Installation frame for BD 4xxx with SA 640 or SN 680	1 691 602 002
Side slip tester ST 600		
Toe compensation plate CP 610		
12	Installation frame for side slip tester ST 600 +TCP	1 691 632 001
13	Installation frame for side slip tester ST 600	1 691 632 000
Suspension tester Theta SAT 69x (BD 4xxx with SAT 69x)		
14	Edge protection for BD 4xxx with SAT 69x	1 691 602 242
15	Installation frame for BD 4xxx with SAT 69x	1 691 602 241





Testing motor bike brakes with BD series 4: Upgrade with cover plates



The BD series 4 brake tester can be upgraded for motor bike brake testing by the help of cover plates. The test procedure to be run under Screen Lane software. (Cover plate 1 691 601 208, USB converter 935 601 103, Screen Lane software 935 701 033)



Testing motor bike brakes with BD 321: Brake tester stand-alone solution



BD 321 2-wheeler brake tester

BD 321 model variants for 2-wheelers

The brake tester BD 321 is the stand-alone solution for testing 2-wheeler brakes and is deliverable in two versions according to local electrical power standards:

- BD 321 for 400 V (includes weight cells) 1 691 300 021
- BD 321 for 230 V (includes weight cells) 1 691 300 024
- Software ICperform PTI 1 692 100 400



ICperform software view for motor bikes

Mandatory accessories



Pedal force sensors (Hand brake/foot brake pressure sensor kit)
935 301 005



Remote control for BD 321

1 691 300 028

Optional accessories

- Roller cover plates for BD 321 (swivel mounted) 935 303 005
- Edge protection for BD 321 935 304 010

Beissbarth truck brake testers

BD Series 5-8 including load simulation and new software ICperform Garage Truck

In line with § 29 StVZO (VkBl. 09/2011) of the German road traffic registration ordinance ISO 21069-1

- Lifting device for load simulation (lifting height: 200 mm)
- Neatly integrated into the roller housing
- Increases the brake-cylinder pressure to the 1.7 bar demanded
- Remote control (optional) right from the driver cab
- Suitable for almost all trucks and trailers
- Especially recommended for empty/lightweight lorries



New with tablet app



Beissbarth GmbH

Hanauer Str. 101
D-80993 Munich
Germany

Telephone: +49-(0)89-14901-0
Telefax: +49-(0)89-14901-246
sales@beissbarth.com